

Operation: SMT&(Push-Pull)抽拉式 短体表面贴装 储存卡连接器



LTEM NO.:SD-001 (Consumer Electronics)

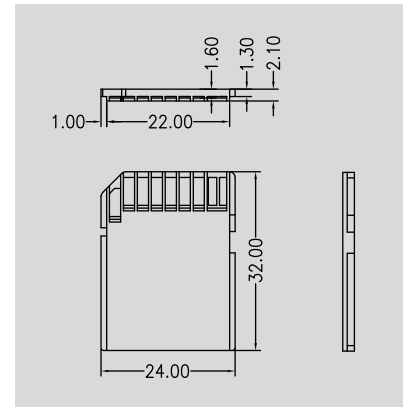
(17.20L×26.40W×2.85H & T-Flash Sockets)

MEMORY-CARD-SOCKETS



Technical parameter

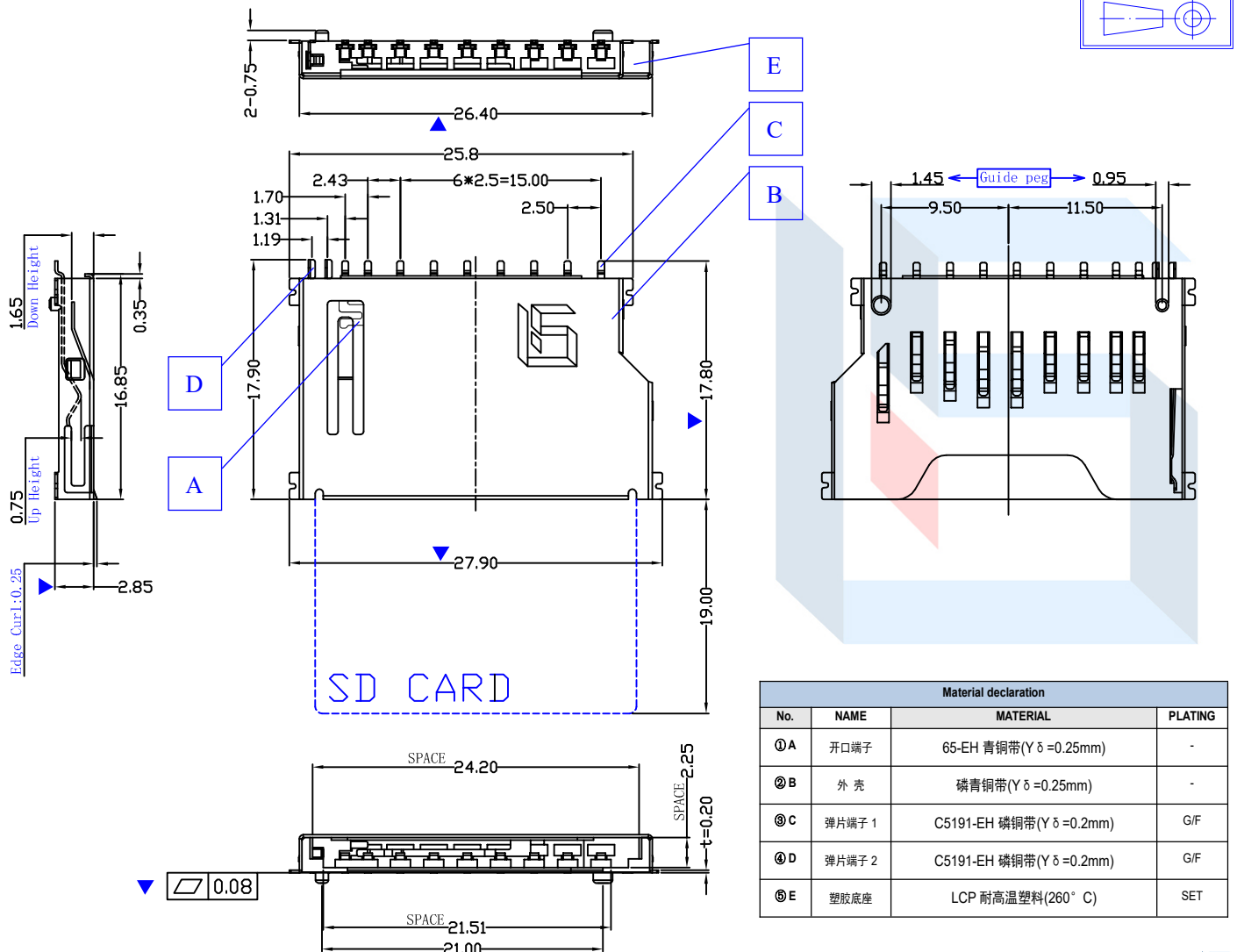
		LEVEL	
PROJECT		A[better product]	B[average product]
	Contact Rating	25mA, 24V DC	
Electrical	Initial Contact Resistance	30mΩ max.	50mΩ max.
Properties	Insulation Resistance	100MΩ min.500V DC	
	Withstand Voltage	500V AC for 1 minute	350 V AC for 1 minut
Durable	There No Load	6,500 Cycles	5,500 Cycles
Performance	Rated Load	5,500 Cycles	4,000 Cycles
Storage temp.		-35℃~+85℃(Operating Temp:)	



SD CARD

Page1

Unit:mm



Operating Force	Inward	6.0~9.0N. (1N.=100gram-force)	Solder-ability (Max.)	
	Exiting	5.0~8.0N. (1N.=100gram-force)	IR Reflow:255°C,5sec.	Manual:350°C,3sec.

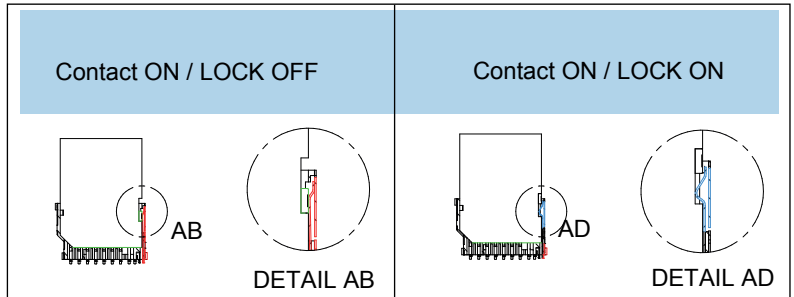
CIRCUIT		[SIGNAL]								
WP	CD	8	7	6	5	4	3	2	1	9

DECIMALS		ANGLES	
X	:±0.25	X°	:±3°
XX	:±0.20	XX°	:±1°
XXX	:±0.15	XXX°	:±0.5°

Pin definition

SD CARD Pin DESIGN

Pin No.	Pin NAME	Type	Description
P①	CD/DAT3	I/O/PP	Card Detect/Date Line [Bit 3]
P②	CMD	PP	Command/Response
P③	Vss1	S	Supply voltage ground
P④	VDD	S	Supply voltage
P⑤	CLK	I	Clock
P⑥	Vss2	S	Supply voltage ground
P⑦	DAT 0	I/O/PP	Date Line [Bit 0]
P⑧	DAT 1	I/O/PP	Date Line [Bit 1]
P⑨	DAT 2	I/O/PP	Date Line [Bit 2]



本品不屬於危害性廢棄物,須丟棄時可以委託回收商予以回收再生處理。Products do not belong to hazardous waste,When waste can recycling processing

運送時本產品不要直接與水、酸鹼性化學物質接觸,或放置於含有以上氣體環境中,並且需要注意會有滑落、側翻的危險發生;運輸過程中不能有碰撞或者擠壓,須保證溫度與濕度適中 [常溫 25°C,濕度在 50°C 以內],不可導致材料變形或氧化。

注記 NOTICE

1. 碩方公司擁有最終解釋權; The SOFNG company reserves the right of final interpretation;
2. 文件禁止外洩、轉載; Leaked and reproduced prohibited;
3. 未經授權修改無效。Modify is invalid.

单击下面可查看定价，库存，交付和生命周期等信息

[>>SOFENG\(硕方\)](#)